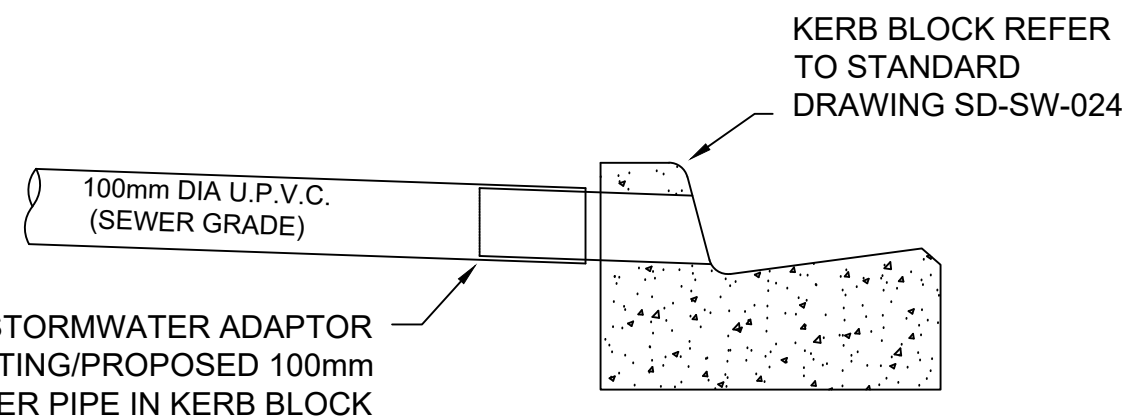
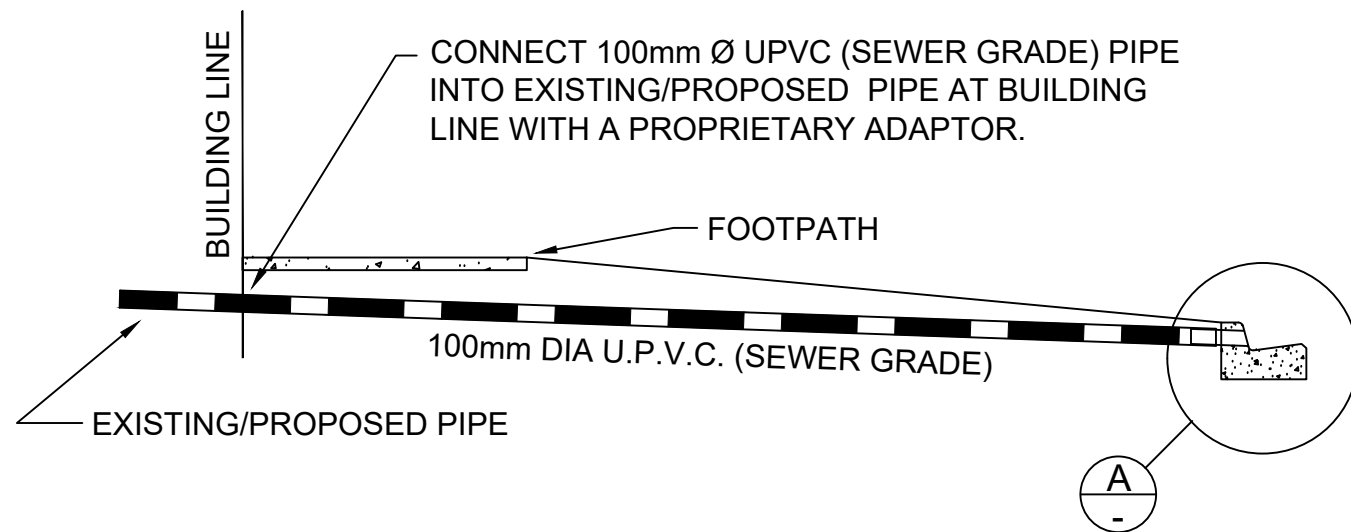


STANDARD PLAN



ADOPT 100mm TO 90mm STORMWATER ADAPTOR WHEN CONNECTING TO EXISTING/PROPOSED 100mm Ø UPVC STORMWATER PIPE IN KERB BLOCK


DETAIL **A**



STANDARD SECTION

NOT TO SCALE

REV.	DATE	REVISION
1	JAN 2024	INITIAL ISSUE- CCC DRAWING SET
0	JAN 2020	INITIAL ISSUE- IPWEA DRAWING SET


CESSNOCK
 CITY COUNCIL
 ENGINEERING GUIDELINES

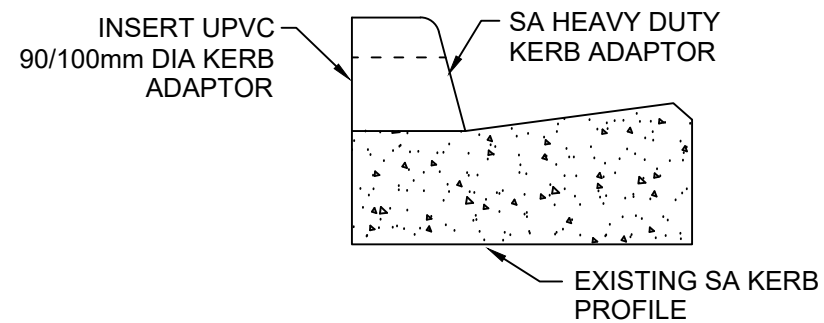
P.O. BOX 152
 CESSNOCK
 PHONE 4993 4100
 FAX 4993 2505

Disclaimer: This is a generic drawing. CCC makes no representation of any kind as to its use, suitability or accuracy, including for a specific project or application and users must undertake their own assessment and accept all risk in the drawing and its use. CCC has no liability of any kind arising out of or in connection with the use of this drawing.

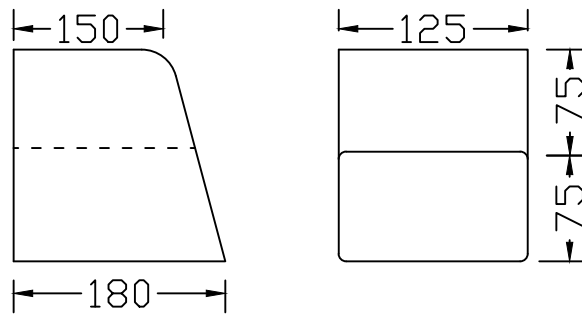
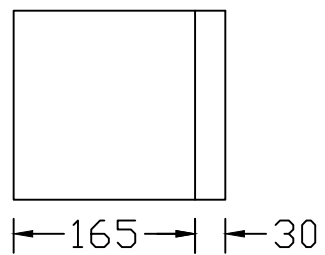
STORMWATER CONNECTION TO KERB

SD-SW-023

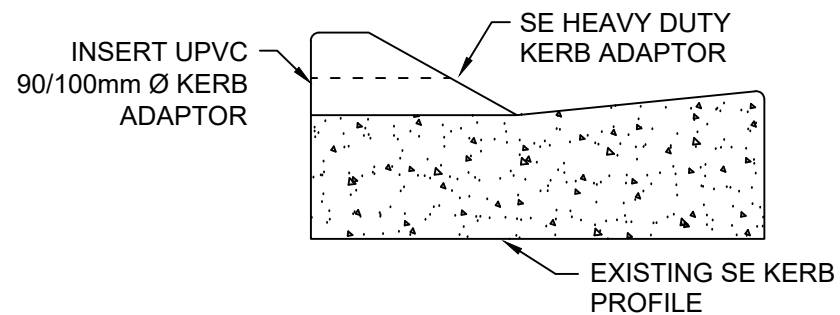
1
REV.



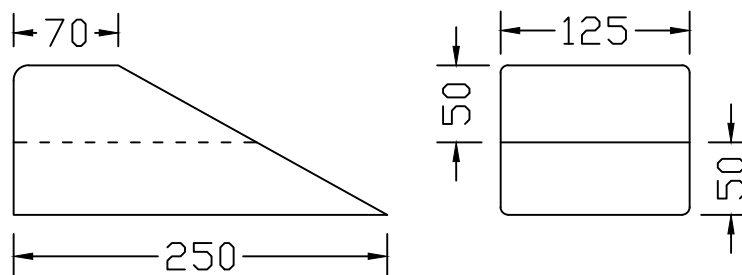
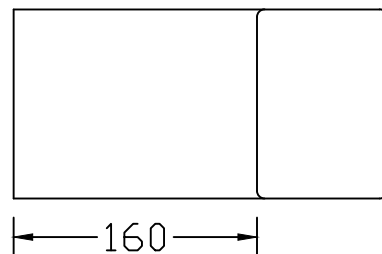
SA KERB WITH HEAVY DUTY KERB ADAPTOR SECTIONAL VIEW



SA HEAVY DUTY KERB ADAPTOR



SE KERB WITH HEAVY DUTY KERB ADAPTOR SECTIONAL VIEW




SE HEAVY DUTY KERB ADAPTOR

NOTE:

1. All heavy duty kerb adaptors are to be constructed from 125x75x3mm mild steel
2. All mild steel must be hot dipped galvanised before installation
3. The heavy duty kerb adaptors require a UPVC kerb adaptor to be inserted inside
4. Both kerb adaptors must be grouted in place to stop movement.

NOT TO SCALE

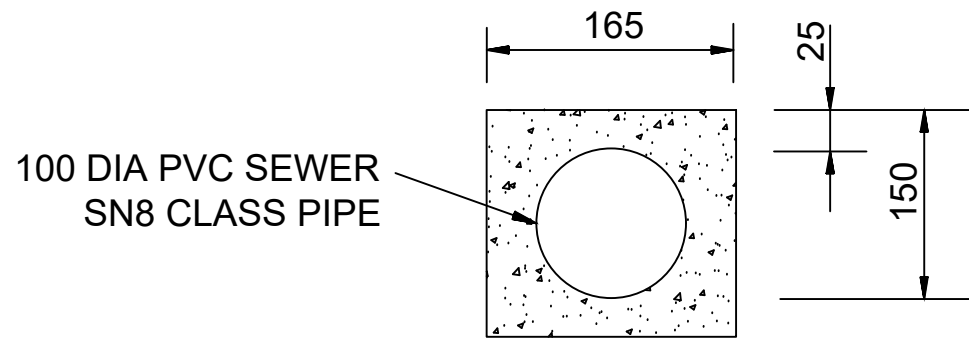
REV.	DATE	REVISION
1	JAN 2024	INITIAL ISSUE- CCC DRAWING SET
0	JAN 2020	INITIAL ISSUE- IPWEA DRAWING SET


CESSNOCK CITY COUNCIL
 P.O. BOX 152 CESSNOCK
 ENGINEERING GUIDELINES
 PHONE 4993 4100 FAX 4993 2505

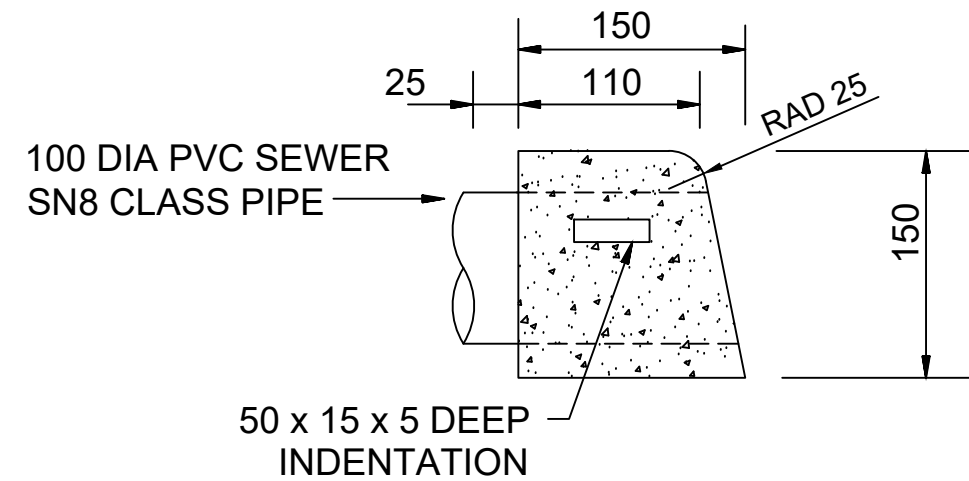
Disclaimer: This is a generic drawing. CCC makes no representation of any kind as to its use, suitability or accuracy, including for a specific project or application and users must undertake their own assessment and accept all risk in the drawing and its use. CCC has no liability of any kind arising out of or in connection with the use of this drawing.

HEAVY DUTY KERB ADAPTORS

SD-SW-024



FRONT ELEVATION




SIDE ELEVATION

PROVIDE CONSTRUCTION JOINTS
IN KERB & CHANNEL ADJACENT TO
ALL HOUSE STORMWATER INLETS

NOT TO SCALE

REV.	DATE	REVISION
1	JAN 2024	INITIAL ISSUE- CCC DRAWING SET
0	JAN 2020	INITIAL ISSUE- IPWEA DRAWING SET


CESSNOCK
 CITY COUNCIL
 ENGINEERING GUIDELINES

P.O. BOX 152
 CESSNOCK
 PHONE 4993 4100
 FAX 4993 2505

Disclaimer: This is a generic drawing. CCC makes no representation of any kind as to its use, suitability or accuracy, including for a specific project or application and users must undertake their own assessment and accept all risk in the drawing and its use. CCC has no liability of any kind arising out of or in connection with the use of this drawing.

PRECAST KERB DRAINAGE BLOCK

SD-SW-026

1
REV.